

RSA-8

15 Amp Shunt Assembly

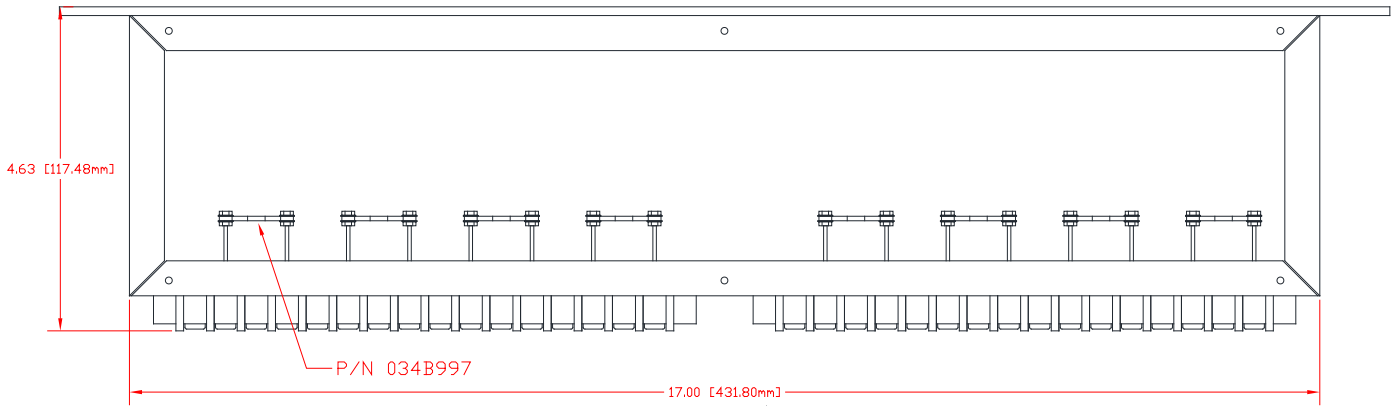
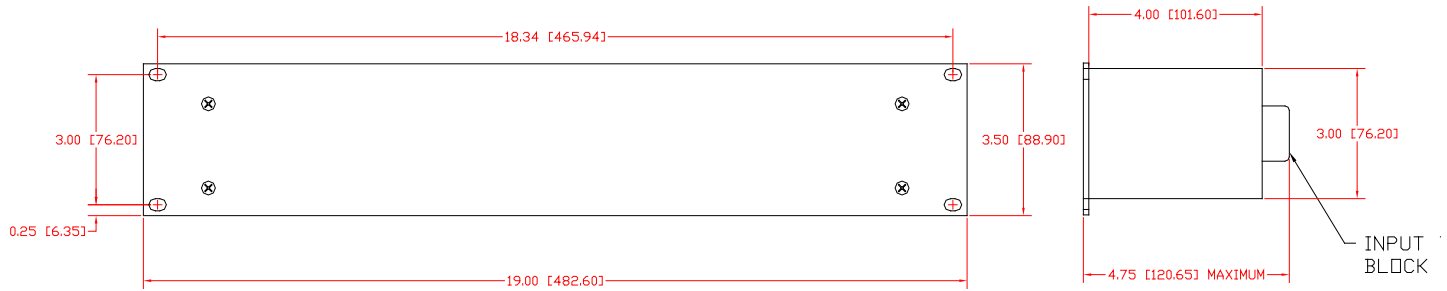
The RSA-8 Recording Shunt Assembly contains eight individual shunts with terminal block programming for either a current channel (using the shunt) or bypassing the shunt and using a dropping resistor for conversion to a voltage channel.

The shunts have 2500 V rms isolation from each other and from ground. Each shunt is an individual loop of Evanohm wire. The loop is supported mechanically to prevent distortion during large overload conditions. This wire is the standard of the ultra-precision resistor industry.

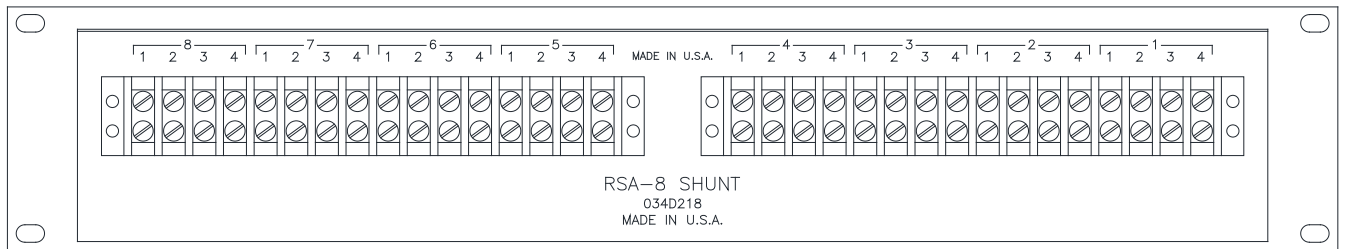
SPECIFICATIONS

Part Number:	034D218
Shunts per unit:	8
Nominal Current:	15 Amps, rms
Maximum Continuous Current:	25 Amps, rms
Maximum Current (1 Minute):	50 Amps, rms
Maximum Current (1 Second):	200 Amps, rms
Nominal Resistance:	.039 Ohms $\pm 5\%$
Stability:	(-55 C to 150 C) $\pm 0.1\%$
Case Dimensions:	3.5" H x 19" W x 4.5" D
Mounting:	19" Rack
Temperature:	
Operating:	-20 C to 60 C
Storage:	-55 C to 70 C

DIMENSIONS

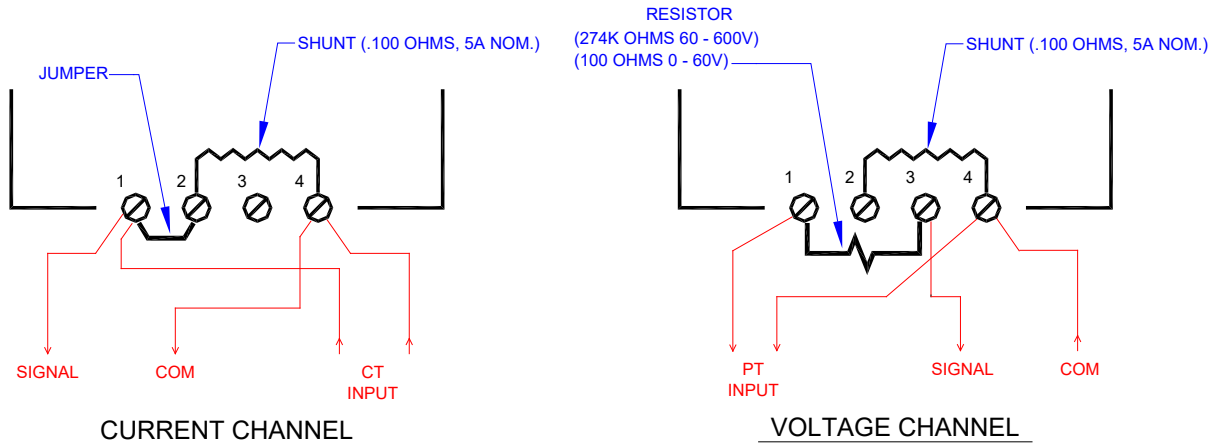


TOP VIEW
(COVER REMOVED)



REAR VIEW

TYPICAL CONNECTION DIAGRAM



CURRENT CHANNEL

VOLTAGE CHANNEL