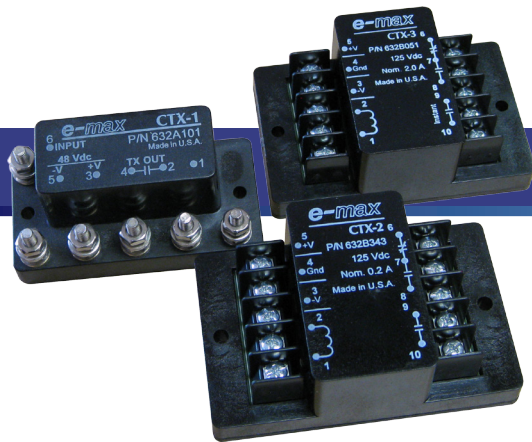




# CTX

## CONTACT TIME EXTENDER



The CTX relays supply a 1.5 to 2.5 seconds of contact output time extension for a momentary contact input. The CTX allows slower devices such as SCADA systems and annunciators to operate thus preventing data loss on the action of protective relays/devices or trip indicators such as the E-MAX Trip Indication Relay (TIR).

The CTX-1 is designed for existing installations where the high-speed operation of the auxiliary relays, like the TIR, have been missed due to the short period of time between pick-up and drop-out. The CTX-1 may be easily installed in the field to extend the contact output times.

The CTX-2 is a complete unit containing a fast input sensing relay which triggers the maintained output when the input contact closes. The CTX-2 is also available in an AC input format and a model designed for voltage trips.

The newest addition to the CTX family is the CTX-3. This unit delivers the same 1.5 to 2.5 seconds of output time extension on the form C output contact while the form A output contact is instantaneous. Case dimensions for the CTX-3 are the same as the CTX-2.

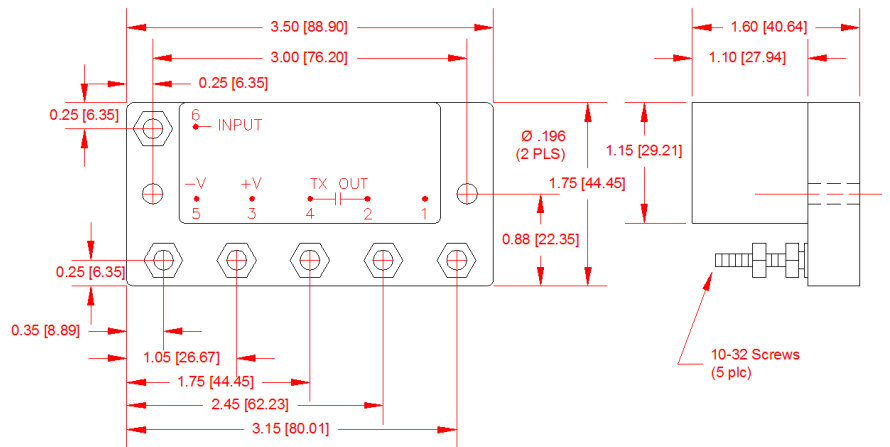
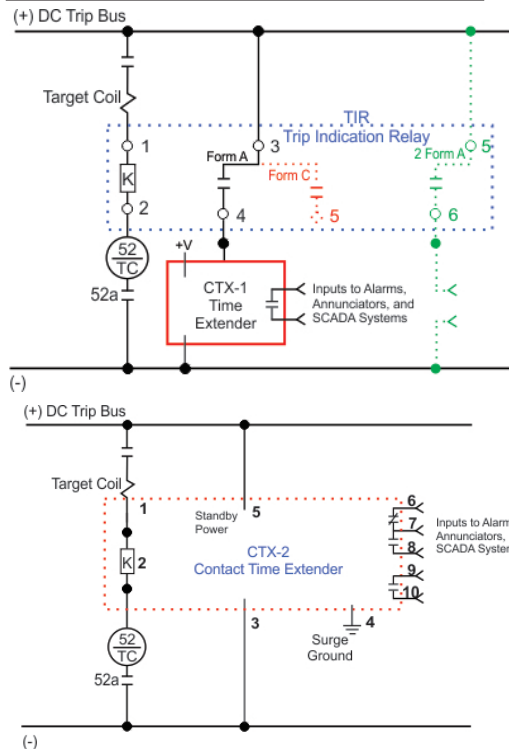
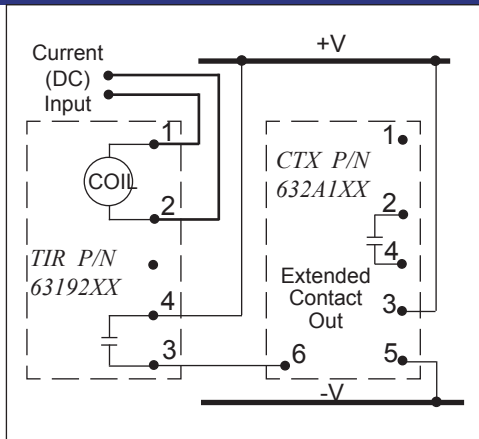
## SPECIFICATIONS

Power Supply	125 Vdc (90 - 156 Vdc) 48 Vdc (38 - 56 Vdc) 24 Vdc (20 - 28 Vdc)
Current Input Trip Level	For CTX-2 and CTX-3 only 0.2 A 1.0 A 2.0 A
Minimum Current Input Time	2 milliseconds
Timer Accuracy	10% for voltage or temperature variations
Output Time Delay	Contact closes within 5 milliseconds after input
Output Contact Rating	125 Vdc, 0.5 A resistive
Operating Temperature Range	0° to 50° Centigrade
Storage Temperature Range	-30° to 70° Centigrade
SWC Immunity	Circuitry protected standard SWC filter

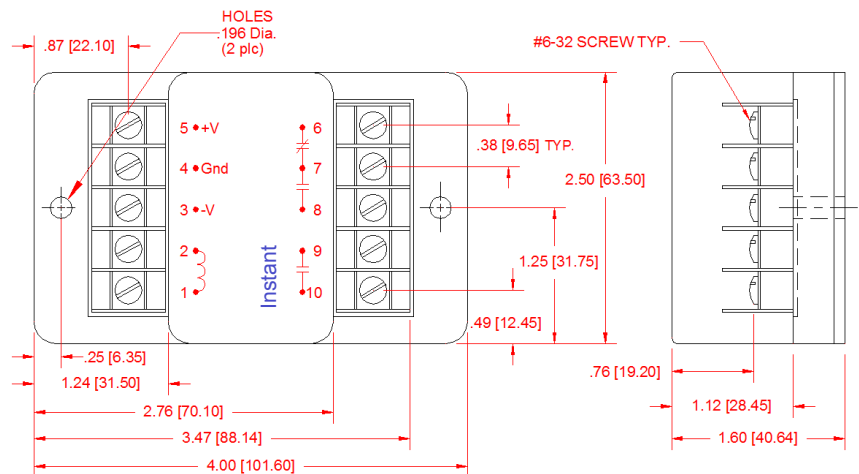
## ORDER INFORMATION

Part Number	Type	Input	Current	Nominal	Part Number	Type	Input	Current	Nominal
		Voltage	Input Trip	Coil Voltage			Voltage	Input Trip	Coil Voltage
632A101	CTX-1	48 Vdc	-		632B361	CTX-2	250 Vdc	2.0 A	
632A102	CTX-1	125 Vdc	-		632B362	CTX-2	250 Vdc	1.0 A	
632A103	CTX-1	24 Vdc	-		632B363	CTX-2	250 Vdc	0.2 A	
632B341	CTX-2	125 Vdc	2.0 A		632B365	CTX-2	125 Vdc	2.0 A	
632B342	CTX-2	125 Vdc	1.0 A		Delay: 50 - 70 msec				
632B343	CTX-2	125 Vdc	0.2 A		632B371	CTX-2	120 Vac	0.2 A	
632B344	CTX-2	48 Vdc	2.0 A		632B372	CTX-2	120 Vac	1.0 A	
632B345	CTX-2	48 Vdc	1.0 A		632B373	CTX-2	120 Vac	2.0 A	
632B346	CTX-2	48 Vdc	0.2 A						
632B347	CTX-2	24 Vdc	2.0 A		632B380	CTX-2V	125 Vdc		125 V
632B348	CTX-2	24 Vdc	0.2 A		632B381	CTX-2V	125 Vdc		48 V
					632B382	CTX-2V	125 Vdc		24 V
<i>CTX-3's have: form C output contact with delay - form A output contact instantaneous</i>									
632B051	CTX-3	125 Vdc	2.0 A		632A050	DIN Rail Mounting Kit			1 kit/unit
632B052	CTX-3	125 Vdc	1.0 A						
632B053	CTX-3	125 Vdc	0.2 A						
632B054	CTX-3	48 Vdc	2.0 A						

## DIMENSIONS AND APPLICATION



**CTX-1**



**CTX-2, CTX-2V, CTX-3**

*Instantaneous Contact available on CTX-3 only*